



**GEMTECH**<sup>®</sup>  
SUPPRESSORS

# Safety & Instruction Manual For MIST-22<sup>®</sup>B Suppressed Barrel



This suppressed barrel fits the Browning<sup>®</sup>  
Buck Mark<sup>®</sup> autoloading pistols.  
Browning<sup>®</sup> and Buck Mark<sup>®</sup> are Registered  
Trademarks of the Browning Company.



**WARNING: READ THESE INSTRUCTIONS AND WARNINGS FOR THE SUPPRESSED BARREL BEFORE USE. ALSO, READ AND UNDERSTAND THE SAFETY AND INSTRUCTION MANUAL FOR YOUR HOST FIREARM BEFORE USING YOUR FIREARM WITH A SUPPRESSED BARREL INSTALLED. FAILURE TO FOLLOW THESE INSTRUCTIONS AND WARNINGS CAN RESULT IN SERIOUS INJURY OR DEATH TO YOU OR OTHERS AND DAMAGE TO PROPERTY.**

## **GEMTECH**

2100 Roosevelt Avenue  
Springfield, MA 01104  
PHONE: 1.833.350.9517

COPYRIGHT: ©2021 GEMTECH. All rights reserved.  
The contents of this publication may not be reproduced in any form  
or by any means in whole or in part without the prior  
written permission of the copyright owner.



## **WARNING:**



**THIS SAFETY & INSTRUCTION  
MANUAL SHOULD ALWAYS ACCOMPANY  
YOUR SUPPRESSED BARREL AND IT  
SHOULD BE TRANSFERRED WITH THE  
SUPPRESSED BARREL UPON CHANGE OF  
OWNERSHIP. IF THERE IS ANYTHING IN  
THIS MANUAL YOU DO NOT UNDERSTAND,  
VISIT OUR WEBSITE: [WWW.GEMTECH.COM](http://WWW.GEMTECH.COM)  
WHERE YOU WILL FIND:**

- **FREE PDF Safety & Instruction Manuals at  
[Gemtech.com/manuals](http://Gemtech.com/manuals)**
- **TECHNICAL support  
[Gemtech.com/technical-support](http://Gemtech.com/technical-support)**
- **CONTACT information  
[Gemtech.com/contact-us](http://Gemtech.com/contact-us)**

**IF THE MANUAL AND WEBSITE DO NOT ANSWER  
YOUR QUESTIONS, CONTACT GEMTECH CUSTOMER  
SUPPORT OR GET HELP FROM SOMEONE QUALIFIED  
IN THE SAFE HANDLING OF FIREARMS AND SOUND  
SUPPRESSORS (SUCH AS A CERTIFIED  
FIREARMS INSTRUCTOR).**

**VISIT [www.gemtech.com](http://www.gemtech.com)  
for accessories and adapters  
manufactured or sold by:**


**GEMTECH  
2100 Roosevelt Avenue  
Springfield, MA 01104  
PHONE: 1.833.350.9517  
E-mail: [techstaff@gemtech.com](mailto:techstaff@gemtech.com)**

## TABLE OF CONTENTS

YOUR SAFETY RESPONSIBILITIES .....	3-7
AMMUNITION.....	8-9
GEMTECH® WARRANTY STATEMENT .....	10
GEMTECH® PATENT INFORMATION.....	10
GEMTECH® RETURNS FOR REPAIR .....	10
GEMTECH® SUPPRESSOR REPAIR POLICY .....	11
CONTACT AND SHIPPING INFORMATION .....	11-12
MIST-22®B SUPPRESSED BARREL SPECIFICATIONS .....	13
MIST-22®B SUPPRESSED BARREL INSTALLATION.....	14-15
MIST-22®B SUPPRESSED BARREL DISASSEMBLY .....	16-17
CLEANING THE MIST-22®B .....	18-19
NOTE REGARDING THE MIST-22®B FRONT SIGHT .....	19
KEEPING YOUR MIST-22®B BARREL RUNNING.....	20-22
MIST-22®B SUPPRESSED BARREL MAINTENANCE LOG .....	23-24

## YOUR SAFETY RESPONSIBILITIES

### SAFETY IS YOUR NUMBER ONE RESPONSIBILITY!

 **WARNING: YOU MUST FOLLOW ALL OF THESE SAFETY RULES TO ENSURE THE SAFE USE OF YOUR FIREARM AND SUPPRESSOR. THE FAILURE TO FOLLOW THE INSTRUCTIONS AND WARNINGS IN THIS MANUAL COULD CAUSE SERIOUS PERSONAL INJURY OR DEATH TO YOU OR OTHERS AND DAMAGE TO PROPERTY.**

• **FIREARMS ARE DANGEROUS AND CAN CAUSE SERIOUS INJURY OR DEATH IF THEY ARE MISUSED OR USED INAPPROPRIATELY.** Safety must be the prime consideration of anyone who owns or handles firearms. Accidents are the result of violating the rules of safe firearm handling. As a firearm owner, you accept a demanding, full-time responsibility. How seriously you take this responsibility can be the difference between life and death. There is no excuse for careless or abusive handling of your firearm. At all times, handle your firearm with intense respect for its power and potential danger.

## **YOUR SAFETY RESPONSIBILITIES CONTINUED**

• **AT HOME, IN THE FIELD, AT THE RANGE, OR ANYWHERE, THE FIRST CONCERN OF EVERY FIREARM OWNER SHOULD BE SAFETY.** To avoid serious injury or death to you or others, apply the following safety rules in every situation, with any kind of firearm. If you feel uncertain about any aspect of your firearm or suppressor, please contact your firearm's manufacturer or GEMTECH® before proceeding with its operation. If you are unfamiliar with firearms, you should seek formal training before using your firearm.

• **NEVER TIGHTEN OR ADJUST A SUPPRESSED BARREL OR ITS COMPONENTS WHILE IT IS MOUNTED ON A LOADED FIREARM.**

• **TREAT EVERY FIREARM AS IF IT IS LOADED AND WILL FIRE.** Never assume and do not take anyone's word that a firearm is unloaded - always look to verify that there is no cartridge in the chamber. A firearm is considered "unloaded" only when the action is open, the magazine is removed, and you have visually verified that there is no cartridge in the chamber. Make sure the firearm is unloaded before attempting to secure or adjust a suppressed barrel.

• **ALWAYS FOLLOW THE INSTRUCTIONS AND WARNINGS IN THIS MANUAL.** Installation, use, removal or adjustment of a suppressed barrel must be performed in accordance with the information contained in this manual.

• **FIREARMS WITH SUPPRESSED BARRELS ARE JUST AS DANGEROUS AS UNSUPPRESSED FIREARMS.** Because firearms with suppressors make less noise than firearms without suppressors, it is easy to forget that they are still firearms. Always remember that a suppressed firearm requires the same safe handling as an un-suppressed firearm. Since suppressors reduce the sound signature of firearms, the shooter must confirm that persons or animals do not accidentally cross the line of fire during use.

• **DO NOT USE A SUPPRESSOR FOR FULLY-AUTOMATIC FIRE UNLESS IT IS RATED FOR SUCH USE.** GEMTECH® suppressors list whether a given model of suppressor is rated for fully-automatic fire in the specifications table(s) within each Safety & Instruction manual.

## **YOUR SAFETY RESPONSIBILITIES CONTINUED**

• **THE SUPPRESSOR AND/OR SUPPRESSED BARREL CAN BECOME EXTREMELY HOT DURING USE.** The suppressor absorbs a great deal of heat from burning propellant gases. After use, the suppressor can become very hot (greater than 900°F/482°C) depending on rate of fire. The suppressor can become hot enough to cause serious burns to skin and can also start a fire when contacting flammable materials or coming in proximity to flammable materials/vapors. Always allow the suppressor to cool before handling with bare hands or allowing it near potentially flammable materials or flammable materials/vapors. Suppressors become hot because they absorb energy from the muzzle blast on firing. A hot suppressor is not obvious but will cause severe burns on contact with skin and will cause property damage. Plan ahead and identify a safe place to rest your suppressed firearm after firing.

• **THE SUPPRESSED BARREL MUST BE INSTALLED PROPERLY BEFORE USE.** The suppressed barrel must be properly installed before using the firearm. Firing a suppressed barrel that is not properly installed could result in a baffle strike which may destroy the suppressor and possibly cause injury or death.


• **SEE THE AMMUNITION SECTION OF THIS MANUAL AND THE SPECIFIC SECTION FOR THE MODEL SUPPRESSOR THAT YOU ARE USING FOR INFORMATION ABOUT WHAT AMMUNITION SHOULD BE USED WITH YOUR GEMTECH® SUPPRESSOR INSTALLED.**

• **THIS MANUAL SHOWS COMPATIBLE CALIBERS / CHAMBERINGS FOR THIS MODEL SUPPRESSED BARREL (SEE PAGE 13).** If a suppressed barrel is used on a firearm that does not meet the criteria spelled out for that particular model, it could result in damage to the firearm and/or suppressor and personal injury.

• **KNOW, UNDERSTAND AND FOLLOW THE LAW.** Sound suppressors (sometimes referred to as silencers, cans, mufflers or moderators) are controlled under the National Firearms Act (NFA; 26 U.S.C. §5849 et seq.). Sound suppressors are NOT legal in every state. Storing an unlocked sound suppressor at home with a person who is not registered to possess the device may be construed as “constructive possession” by the BATFE (U.S. Bureau of Alcohol, Tobacco, Firearms and Explosives), which carries a hefty penalty by law – always keep your suppressor secured as you do with your firearms.

## **YOUR SAFETY RESPONSIBILITIES CONTINUED**

- **ALWAYS WEAR EYE AND HEARING PROTECTION THAT ARE SPECIFIED FOR USE WITH FIREARMS** every time you discharge your firearm. Make sure others in the vicinity of where you will be shooting do so as well. Suppressors reduce but do not eliminate the noise from a firearm discharge. When firing a suppressed firearm you and those nearby must use appropriate hearing protection.
- **BEWARE OF BARREL BORE OBSTRUCTIONS.** Be sure the gun's bore and the integral suppressor are clear of obstructions before shooting. Mud, water, snow or other objects may inadvertently lodge in the bore or suppressor. An obstruction in the barrel bore or suppressor is a dangerous condition and may damage your firearm and cause injury to yourself and others.
- **NEVER DISASSEMBLE YOUR SUPPRESSED BARREL** beyond the procedure(s) detailed in this manual. Improper disassembly or reassembly of your suppressed barrel may be dangerous and can lead to serious injury or death.
- **NEVER ALLOW ANY ALTERATION OR REPLACEMENT OF PARTS IN YOUR GEMTECH® SUPPRESSED BARREL UNLESS PERFORMED BY A FACTORY TECHNICIAN** using genuine GEMTECH® parts. If you do otherwise, improper functioning of your firearm may occur and serious injury or death and damage to property may result.

 **WARNING: SAFE USE OF A FIREARM WITH A SUPPRESSED BARREL IS YOUR PERSONAL RESPONSIBILITY AND THE FAILURE TO FOLLOW ALL OF THESE BASIC SAFETY RULES MAY RESULT IN SEVERE PERSONAL INJURY OR DEATH TO YOU OR OTHERS AND DAMAGE TO PROPERTY. YOU ARE THE MOST IMPORTANT SAFETY DEVICE WHEN IT COMES TO THE USE OF YOUR FIREARM AND SUPPRESSOR AND GEMTECH WILL NOT BE RESPONSIBLE FOR ANY PERSONAL INJURY, DEATH OR PROPERTY DAMAGE THAT RESULTS FROM: (1) THE CRIMINAL OR NEGLIGENT USE OF THIS SUPPRESSOR; (2) A DISREGARD OF THESE SAFETY INSTRUCTIONS AND WARNINGS; (3) IMPROPER OR CARELESS HANDLING OF THIS SUPPRESSOR; (4) THE USE OF NON-STANDARD, DEFECTIVE OR IMPROPER AMMUNITION, OR; (5) IMPROPER OR NEGLIGENT MODIFICATIONS OR REPAIRS TO THE SUPPRESSED BARREL.**

## **YOUR SAFETY RESPONSIBILITIES CONTINUED**



**WARNING: ALWAYS FOLLOW ALL OF THE WARNINGS AND INSTRUCTIONS IN THE OWNER'S MANUAL FOR YOUR SPECIFIC FIREARM.**

- **SUPPRESSOR HUNTING NOTICE.** If hunting with a suppressor is desired, consult the applicable state department or agency responsible for enforcement of hunting laws and regulations for further information. Not all states allow hunting with a suppressor, and some states limit the types of game that can be hunted with suppressors.

# AMMUNITION

- Use your suppressed barrel only with the caliber for which it was designed. This information is listed on page 13 of this manual.



**WARNING: ONLY FACTORY NEW AMMUNITION IN GOOD CONDITION THAT OPERATES AT PRESSURES CONSISTENT WITH RECOGNIZED COMMERCIAL STANDARDS SHOULD BE USED WITH A GEMTECH® SUPPRESSED BARREL INSTALLED.**



**WARNING: NEVER FIRE “TRACER” AMMUNITION THROUGH YOUR SUPPRESSED BARREL.**



**WARNING: NEVER FIRE FRANGIBLE OR PRE-FRAGMENTED AMMUNITION THROUGH ANY SUPPRESSOR. SOME FRANGIBLE JACKETED BULLETS HAVE A TENDENCY TO PRODUCE JACKET SEPARATION, WHICH MAY CAUSE THE BULLET OR BULLET FRAGMENTS TO TUMBLE WHILE IN THE SUPPRESSOR, WHICH CAN SERIOUSLY DAMAGE THE INTERNAL BAFFLES AND LEAD TO SUPPRESSOR FAILURE.**



**WARNING: DO NOT USE 45 GRAIN OR HEAVIER SUBSONIC 22LR AMMUNITION IN THE GEMTECH® MIST-22®B SUPPRESSED BARREL. GEMTECH HAS FOUND THAT SUCH AMMUNITION MAY FAIL TO STABILIZE IN THE SHORT 3” BARREL, AND AS A RESULT THE BULLET CAN YAW ON EXIT FROM THE RIFLING AND MAY DAMAGE THE INTERNAL COMPONENTS OF THE SUPPRESSOR, LEADING TO POSSIBLE INJURY TO THE SHOOTER OR BYSTANDERS. USE OF SUCH AMMUNITION WILL ALSO VOID THE PRODUCT WARRANTY.**



**WARNING: NEVER USE 22 SHOTSHELL AMMUNITION IN THE MIST-22®B SUPPRESSED BARREL.**



**WARNING: DISCHARGING FIREARMS IN POORLY VENTILATED AREAS, CLEANING FIREARMS, OR HANDLING AMMUNITION MAY RESULT IN EXPOSURE TO LEAD AND OTHER SUBSTANCES KNOWN TO CAUSE BIRTH DEFECTS, REPRODUCTIVE HARM, AND OTHER SERIOUS PHYSICAL INJURY. HAVE ADEQUATE VENTILATION AT ALL TIMES. WASH HANDS THOROUGHLY AFTER EXPOSURE.**



## AMMUNITION CONTINUED

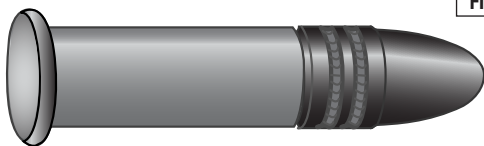


FIGURE 1

**NOTE:** Heavy-for-caliber 22LR ammunition is not needed or recommended to achieve impressive sound reduction performance from the MIST-22<sup>®</sup>B suppressed barrel.

Due to the relatively short length of the actual barrel in the MIST-22<sup>®</sup>B (3-inches), all 22LR ammunition with a factory listed velocity of 1,600 feet per second or less will deliver subsonic performance.



---

## GEMTECH® WARRANTY STATEMENT

---

- Please visit [gemtech.com/warrantystatement](http://gemtech.com/warrantystatement) for warranty statement details.

---

## GEMTECH® PATENT INFORMATION



---

- This product may be covered by one or more patents. Visit [www.gemtech.com/patents](http://www.gemtech.com/patents) for virtual patent information.

---

## GEMTECH® RETURNS FOR REPAIR

---

- 
- 
- Suppressed barrels may be returned to GEMTECH® for inspection and/or repair service as necessary. Contact the GEMTECH® customer service department to obtain a Return Merchandise Authorization (RMA) in order to return your suppressor. See the Contact and Shipping section of this manual for details. Returned suppressors will be evaluated upon receipt to determine whether no-charge or fee service is appropriate. GEMTECH® is not responsible or liable for any damage that results from the failure to observe all applicable product warnings and instructions.
  - For fee service(s), a quote will be provided to you, and services will commence upon receipt of payment. It is the responsibility of the customer to cover shipping costs and insurance to return the suppressor to GEMTECH® for inspection or repair. GEMTECH® will pay any reasonable shipping and insurance costs to return the unit to you.
  - For any repair returns, to ensure proper legal procedures are completed, please download, fill out, and provide a copy of this document (**General Service Form**) with any packages sent to us - available at this web address:  
[https://gemtech.com/pub/media/wysiwyg/cms/downloads/General\\_Service\\_Form.pdf](https://gemtech.com/pub/media/wysiwyg/cms/downloads/General_Service_Form.pdf)



---

## GEMTECH® REPAIR POLICY

---

- GEMTECH® maintains complete repair facilities for all the suppressors and suppressed barrels that it currently sells.

Return authorization and shipping instructions must be obtained prior to return. Contact GEMTECH® for this information. BATFE no longer requires transfer on a Form 5 to the manufacturer for repair. However, they do require a letter accompanying the suppressor detailing the repairs required. The General Service Form will fulfill the letter requirement.

***[https://gemtech.com/pub/media/wysiwyg/cms/downloads/General\\_Service\\_Form.pdf](https://gemtech.com/pub/media/wysiwyg/cms/downloads/General_Service_Form.pdf)***

We will also require a photocopy of the front of the Owner's Form 3, 4, or 5.

**NOTE:** BATFE prohibits transferring the serial number to a new outer tube in the case of damage to the tube. Tube damage will require a new suppressor.



---

## CONTACT & SHIPPING INFORMATION

### For Owners Within The United States

---



**NOTE:** A Return Merchandise Authorization (RMA) is the first step in the process of returning a product in order to receive repair service. Please contact GEMTECH'S Customer Service Dept. via e-mail: [techstaff@gemtech.com](mailto:techstaff@gemtech.com) or by phone at 1.833.350.9517 to obtain authorization to return your suppressor so GEMTECH® can process it quickly and efficiently. The RMA number that is supplied by GEMTECH® must be displayed on the outside of the returned product's packaging.

The Return Merchandise Authorization (RMA) process allows GEMTECH® an opportunity to try to diagnose and correct a customer's concerns with the product (such as ammunition problems) before it is returned. Accordingly, please contact us before returning your GEMTECH® suppressor.

### CONTACT CUSTOMER SERVICE

Phone: 1.833.350.9517

E-mail: [techstaff@gemtech.com](mailto:techstaff@gemtech.com)

## CONTACT AND SHIPPING CONTINUED

### RETURNS - FOR SERVICE - ALL GEMTECH SUPPRESSORS

**GEMTECH**  
**2100 Roosevelt Avenue**  
**Springfield, MA 01104**

- Call or e-mail the Customer Service Dept. for authorization and shipping instructions.

- Enclose a completed General Service Form:

***[https://gemtech.com/pub/media/wysiwyg/cms/downloads/General\\_Service\\_Form.pdf](https://gemtech.com/pub/media/wysiwyg/cms/downloads/General_Service_Form.pdf)***

- Include your full name and address (no P.O. Boxes, please), daytime telephone number, e-mail address, the serial number of the suppressor, and details of the problem experienced (stating the brand and type of ammunition used when the problem occurred) or work desired.

- Enclose a copy of the first page of the approved BATFE Form 3, 4, or 5 (as applicable) that evidences registration of the suppressor in your name. This form can be found at:

***<https://www.atf.gov/firearms/firearms-forms>***

- Record the serial number before shipping, in case you wish to check on the repair status of your suppressor.

- Place the suppressor in its original case or in a similarly secure container and pack it securely.

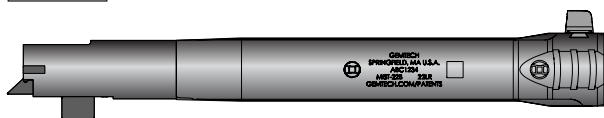
- The package must NOT bear any markings which indicate the identity of the contents.

- It is most important that you comply with federal, state, and local laws and regulations. The following guidelines are meant to help, but you must seek assistance from the appropriate authorities if necessary.

- Repair work will begin upon receipt and examination of the suppressor. In the case of repairs, a quotation covering the cost of the work plus round trip shipping charges will be sent to you. Repairs will be scheduled upon receipt of payment.

# GEMTECH® MIST-22® B SUPPRESSED BARREL:

FIGURE 2



## GEMTECH® MIST®-22B SUPPRESSED BARREL SPECIFICATIONS:

SKU Number	12603
UPC Number	609224346644
Chambering	22LR
Full Auto Rated?	No
Use wet or dry?	DRY ONLY
Barrel Length	3" – Barrel 8.95" Overall Length
Tube Diameter	.950" - 1.120"
Weight	10.9 oz
Tube Material	7075-T6 Aluminum
Tube Finish	Matte Black Cerakote®
Core Material	17-4 Stainless Steel
Core Finish	Black Oxide
Barrel Material	410 Stainless Steel
Barrel Finish	Matte Black Cerakote®
Mount Type	Fits onto the Browning® Buck Mark® Pistol only
Ammunition	See pages 8 and 9 for details
Disassembly for Cleaning?	Yes

# GEMTECH® MIST-22® B SUPPRESSED BARREL INSTALLATION

 **WARNING: ALWAYS KEEP THE MUZZLE POINTED IN A SAFE DIRECTION.**

 **WARNING: ALWAYS ENSURE THAT THE FIREARM IS UNLOADED BEFORE INSPECTING, DISASSEMBLING OR ASSEMBLING.**

 **WARNING: WEAR SAFETY GLASSES EVERY TIME YOU DISASSEMBLE OR ASSEMBLE YOUR FIREARM AND ATTEMPT CLEANING OR MAINTENANCE.**

- Before installing your MIST®-22B suppressed barrel, the factory barrel must be removed.
- Press the magazine catch and remove the magazine from the pistol.
- Pull the slide fully rearward and lock it open with the slide stop. Ensure that the chamber is empty and no ammunition is present.
- Remove the (2) sight base screws from the top of the pistol using a 3/32" Allen wrench. Lift the sight rail off of the pistol.

**NOTE:** Take care not to misplace the two crush washers which slide onto the sight rail screws.

- Loosen the barrel block screw located at the front of the grip frame directly under the barrel with a 7/64" Allen wrench.

**NOTE:** The barrel block screw does not need to be completely unthreaded in order to remove the barrel.

- Once the barrel block screw has been sufficiently loosened, remove the barrel from the pistol's frame.
- Install the complete MIST®-22B suppressed barrel assembly onto the grip frame, and hold it securely in place against the raised projection of the frame.
- While holding the MIST®-22B barrel mated securely against the grip frame, tighten the barrel block screw until snug.

## GEMTECH® MIST-22®B SUPPRESSED BARREL INSTALLATION CONTINUED

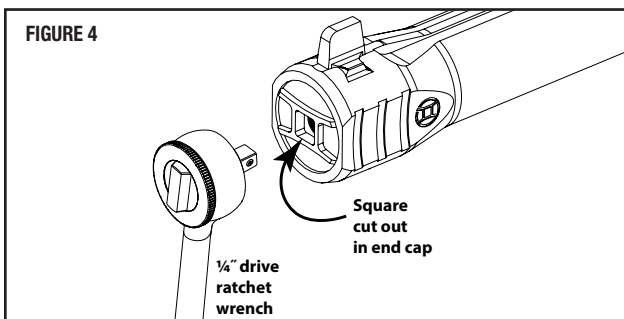
- Install the top sight rail. Use the longer screw in the rear hole, and the shorter screw for the front. If the top sight rail screws do not line up with the screw holes, the barrel has not been sufficiently tightened. Remove the top rail and check the tightness of your MIST®-22B barrel retaining screw.
- After both sight rail screws are securely tightened, the MIST®-22B has been successfully installed and is ready for use.



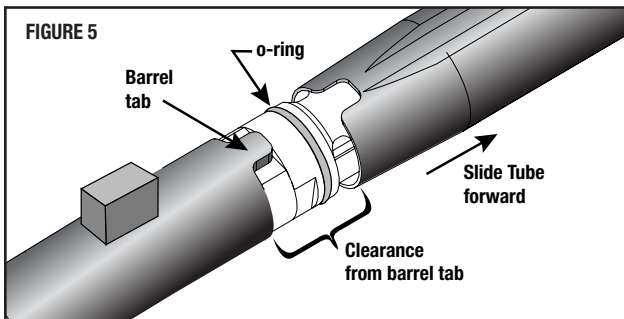
# GEMTECH® MIST-22® B SUPPRESSED BARREL DISASSEMBLY

**WARNING: WEAR ABRASION RESISTANT GLOVES WHILE CLEANING YOUR SUPPRESSED BARREL TO AVOID CUTTING YOURSELF ON ANY SHARP EDGES.**

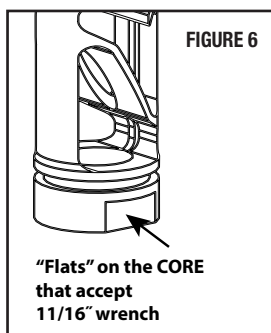
- Use a  $\frac{1}{4}$ " ratchet drive wrench to loosen the end cap. Insert the wrench into the cut out in the suppressor end cap (FIGURE 4) and turn counter-clockwise to remove the end cap.



- Remove the suppressor tube by sliding it off the barrel and core. **DO NOT** attempt to rotate the tube until it is past the o-ring on the rear of the G-CORE® monocore (FIGURE 5). This avoids damaging the tab cutout on the suppressor tube.



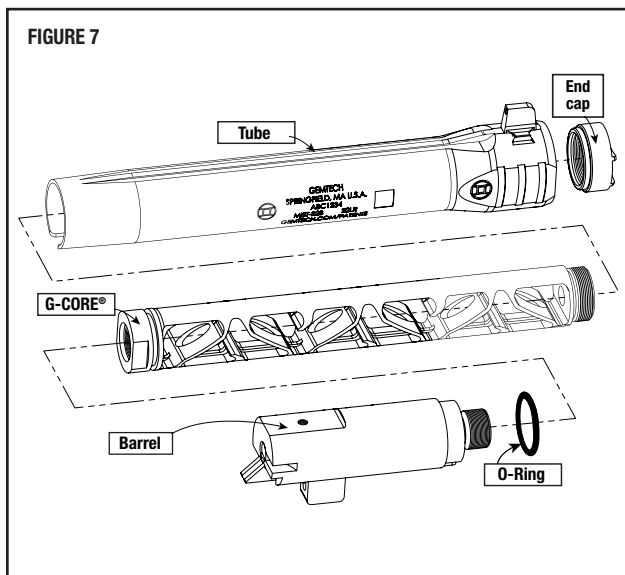
- Remove the G-CORE® monocore from the barrel using an  $\frac{11}{16}$ " open-end or adjustable wrench to engage the flats on the base of the core (FIGURE 6).
- Rotate counter-clockwise to remove the G-CORE® from the barrel.





## GEMTECH® MIST-22®B SUPPRESSED BARREL DISASSEMBLY CONTINUED

- The MIST-22®B is now disassembled (FIGURE 7) and ready for routine cleaning and inspection.



# CLEANING THE GEMTECH® MIST-22®B SUPPRESSED BARREL

For optimal performance and ease of disassembly, perform the maintenance process listed below every 250 rounds.

GEMTECH® recommends using a CLP (Cleaner, Lubricant, Preservative) to clean the suppressor components.



**WARNING: ALWAYS HAVE ADEQUATE VENTILATION. CLEANING FIREARMS IN POORLY VENTILATED AREAS, DISCHARGING FIREARMS, OR HANDLING AMMUNITION MAY RESULT IN EXPOSURE TO LEAD AND OTHER SUBSTANCES KNOWN TO CAUSE BIRTH DEFECTS, REPRODUCTIVE HARM AND OTHER SERIOUS PHYSICAL INJURY. WASH HANDS THOROUGHLY AFTER EXPOSURE.**

- Disassemble the MIST-22®B following the instructions shown previously in this manual.
- To clean the G-CORE® use a brush to scrub the entire outside surface. This is the most important part to clean since this is where buildup occurs that may cause the G-CORE® and tube to be stuck together.
- In the cavities and recesses, use cleaning picks to remove large deposits. Run a bore brush or bore snake through the bore of the G-CORE® a few times to ensure anything encroaching on this space is removed.
- To clean the inside of the suppressor tube, soak a 12-gauge nylon shotgun bore brush or mop in CLP and run it through the tube to remove debris. The use of a 12-gauge shotgun bore brush, or mop and a power drill is extremely effective for cleaning the inside of the tube. If lead/carbon buildup persists, the G-CORE® itself can be used to break off the buildup. See the “Possible Issues” section of this manual on (pages 20-22) for detailed instructions.
- To clean the barrel and chamber use a properly fitted bore brush dipped in gun cleaning solvent to break up fouling. Finish the barrel cleaning process by running dry cotton cloth patches through the barrel from the chamber to muzzle and remove residue and solvent.




---



## CLEANING THE GEMTECH® MIST-22®B SUPPRESSED BARREL CONTINUED

---

- Clean and remove debris from all threaded surfaces with a nylon or brass brush. Wipe remaining cleaner off all internal surfaces of the G-CORE®, tube, end cap, and barrel. Allow components to dry before reassembling and using the suppressor.
- Reassembly of the suppressor is the reverse of the disassembly process.
- Ensure that the end cap is tight, and torqued to 18 in/lbs. Look through the fully assembled MIST-22®B from the barrel chamber toward the muzzle. Make certain that nothing is blocking the bullet's path and the bore aperture is perfectly circular.
- The MIST-22®B is now fully cleaned, assembled, and ready for use.



**WARNING: THE SUPPRESSED BARREL MUST BE ASSEMBLED AND INSTALLED PROPERLY BEFORE USE. FIRING A SUPPRESSED BARREL WITH A BORE OBSTRUCTION OR ONE THAT IS NOT PROPERLY ASSEMBLED AND INSTALLED COULD RESULT IN A BAFFLE STRIKE WHICH MAY CAUSE INJURY AND/OR DEATH TO THE SHOOTER OR BYSTANDERS AND DAMAGE TO PROPERTY.**



**NOTE REGARDING THE FRONT SIGHT:** We highly recommend that a qualified gunsmith perform removal or installation of the front sight on the MIST-22®B suppressed barrel. If excessive force is used while removing or installing a front sight, the aluminum tube can be marred or damaged.

---

## KEEPING YOUR MIST-22®B SUPPRESSED BARREL RUNNING

---

This section contains information for identifying and resolving some of the more common issues which may develop with the MIST-22®B suppressed barrel after extensive firing.

If you encounter an issue not listed here (except when the malfunction and cause are obvious), or is not resolved by the corrective actions shown here, please contact the GEMTECH® Customer Service Dept. **Phone: 1.833.350.9517**

**E-mail: techstaff@gemtech.com**

**NOTE:** The majority of possible issues can be avoided by adhering to the cleaning interval and methods listed in this manual.

**ISSUE #1** - The end cap is stuck and cannot be removed from the suppressor tube to disassemble the MIST-22®B.

**RESOLUTION #1** - If the suppressor end cap or tube is seized and cannot be removed without excessive force, use a PTFE spray lubricant like CRC® Dry PTFE Lube and apply liberally. Spray into the front-end cap and from the barrel chamber into the suppressor. Shake the suppressor so the lubricant can coat all internal surfaces. Let the MIST-22®B sit for 30 minutes before attempting to disassemble it.

**ISSUE #2** - The end cap has been removed, but the suppressor tube is seized to the core and barrel, and cannot be removed.

**RESOLUTION #2** - Remove the MIST-22®B from the firearm. With the MIST-22®B removed from the pistol, spray PTFE lubricant into the suppressor from both the muzzle end and the barrel chamber. Allow the MIST-22®B to sit for 30 minutes.

With the end cap removed, put the tube flats in a vise using soft jaws to protect the finish. Use a wooden dowel and mallet to tap the core and barrel free from the tube.

**ISSUE #3** - The end cap and suppressor tube have been removed, but the core is seized to the barrel threads.

**RESOLUTION #3** - Soak the barrel and G-CORE® in CLP for 30 minutes to 1 hour. The fouling and carbon should soften up enough so the core can be removed from the barrel. Use a wrench to engage the wrench flats at the base of the G-CORE®, or an abrasion resistant glove to twist the G-CORE® free.

## KEEPING YOUR MIST-22®B SUPPRESSED BARREL RUNNING CONTINUED

**ISSUE #4** - The black oxide finish on G-CORE® appears to be wearing off.

**RESOLUTION #4** - Finish wear on internal surfaces is expected and should not be a cause of concern. Finish wear will not affect the MIST-22®B's performance or ease of cleaning.

**ISSUE #5** - Can the MIST-22®B be cleaned with an ultrasonic cleaner?

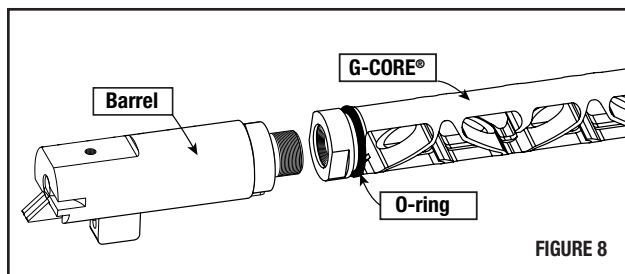
**RESOLUTION #5** - The G-CORE® can be cleaned using an ultrasonic cleaner. An ultrasonic cleaner will deteriorate the black finish on the G-Core, but this will not effect performance or service life.

The suppressor tube is aluminum and not compatible with ultrasonic cleaning.

The barrel should be cleaned using traditional gun barrel cleaning methods.

**ISSUE #6** - The o-ring on the G-CORE® has deteriorated or become damaged.

**RESOLUTION #6** - The o-ring should be replaced with a Viton® o-ring size: ID-5/8 OD-3/4 W-1/16.



Viton® is a Registered Tardemark of  
THE CHEMOURS COMPANY FC, LLC

## KEEPING YOUR MIST-22®B SUPPRESSED BARREL RUNNING CONTINUED

**ISSUE #7** - Using the G-CORE® to remove carbon buildup from inside the MIST-22®B suppressor tube.

**RESOLUTION #7** - Start this process with the MIST-22®B disassembled and cleaned using the instructions in the manual.

Remove the o-ring on the base of the already cleaned G-CORE® and liberally spray the core with CLP.

Using a bench vise equipped with soft jaws, engage the suppressor tube's integrated flats located on the muzzle end (FIGURE 9). Spray the inside of the tube with CLP.

**NOTE:** DO NOT OVER-TIGHTEN THE VISE AS DAMAGE TO THE TUBE MAY RESULT.

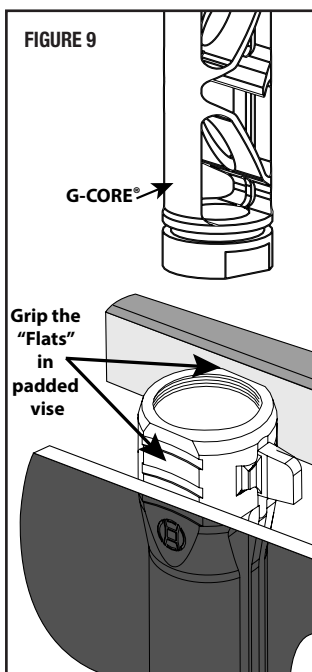
Place the base of the G-CORE® into the muzzle end of the suppressor tube. Using a non-marring hammer or mallet, tap the G-CORE® through the suppressor tube. This will scrape all buildup off the tube's internal surfaces.

Wipe remaining cleaner off all internal surfaces and use a brush to remove debris from all threaded surfaces.

Reinstall the o-ring onto the base of the core.

Allow components to dry before reassembling and using the suppressor.

The MIST-22®B is now ready for reassembly and installation. Once assembled, confirm that the bore channel is not obstructed before firing.





# MY GEMTECH® SUPPRESSED BARREL MAINTENANCE LOG

MY SERIAL NUMBER: \_\_\_\_\_

PURCHASE DATE: \_\_\_\_\_

MM/DD/YY / ROUND COUNT

MM/DD/YY	/	ROUND COUNT
_____	/	_____
_____	/	_____
_____	/	_____
_____	/	_____
_____	/	_____
_____	/	_____
_____	/	_____
_____	/	_____
_____	/	_____
_____	/	_____
_____	/	_____
_____	/	_____
_____	/	_____
_____	/	_____
_____	/	_____
_____	/	_____
_____	/	_____
_____	/	_____
_____	/	_____
_____	/	_____

**MY GEMTECH® SUPPRESSED BARREL  
MAINTENANCE LOG**

MY SERIAL NUMBER: \_\_\_\_\_

PURCHASE DATE: \_\_\_\_\_

MM/DD/YY	/	ROUND COUNT
_____	/	_____
_____	/	_____
_____	/	_____
_____	/	_____
_____	/	_____
_____	/	_____
_____	/	_____
_____	/	_____



301495021242

**Gemtech**  
2100 Roosevelt Avenue  
Springfield, MA 01104

p/n 3014950

REV: MIST-22B-083021