



GEMTECH[®]
SUPPRESSORS

Safety & Instruction Manual For MIST-22[®]V Suppressed Barrel



For the Smith & Wesson[®]
SW22 Victory[®] semi-auto pistol

Pistol sold separately



WARNING: READ THESE INSTRUCTIONS AND WARNINGS FOR THE SUPPRESSED BARREL BEFORE USE. ALSO, READ AND UNDERSTAND THE SAFETY AND INSTRUCTION MANUAL FOR YOUR HOST FIREARM BEFORE USING YOUR FIREARM WITH A SUPPRESSED BARREL INSTALLED. FAILURE TO FOLLOW THESE INSTRUCTIONS AND WARNINGS CAN RESULT IN SERIOUS INJURY OR DEATH TO YOU OR OTHERS AND DAMAGE TO PROPERTY.

GEMTECH

2100 Roosevelt Ave
Springfield, MA 01104
PHONE: 1.833.350.9517

COPYRIGHT: ©2020 GEMTECH. All rights reserved.
The contents of this publication may not be reproduced in any form or by any means in whole or in part without the prior written permission of the copyright owner.



WARNING:



THIS SAFETY & INSTRUCTION MANUAL SHOULD ALWAYS ACCOMPANY YOUR SUPPRESSED BARREL AND IT SHOULD BE TRANSFERRED WITH THE SUPPRESSED BARREL UPON CHANGE OF OWNERSHIP. IF THERE IS ANYTHING IN THIS MANUAL YOU DO NOT UNDERSTAND, VISIT OUR WEBSITE: WWW.GEMTECH.COM WHERE YOU WILL FIND:

- **FREE PDF Safety & Instruction Manuals at**
Gemtech.com/manuals
- **TECHNICAL support**
Gemtech.com/technical-support
- **CONTACT information**
Gemtech.com/contact-us

IF THE MANUAL AND WEBSITE DO NOT ANSWER YOUR QUESTIONS, CONTACT GEMTECH CUSTOMER SUPPORT OR GET HELP FROM SOMEONE QUALIFIED IN THE SAFE HANDLING OF FIREARMS AND SOUND SUPPRESSORS (SUCH AS A CERTIFIED FIREARMS INSTRUCTOR).

**VISIT www.gemtech.com
for accessories and adapters
manufactured or sold by:**

**GEMTECH
2100 Roosevelt Ave
Springfield, MA 01104
PHONE: 1.833.350.9517
E-mail: techstaff@gemtech.com**

TABLE OF CONTENTS

YOUR SAFETY RESPONSIBILITIES	3-7
AMMUNITION	8-9
GEMTECH® WARRANTY STATEMENT	10
GEMTECH® PATENT INFORMATION	10
GEMTECH® RETURNS FOR REPAIR	10
GEMTECH® SUPPRESSOR REPAIR POLICY	11
CONTACT AND SHIPPING INFORMATION	11-12
MIST-22®V SUPPRESSED BARREL SPECIFICATIONS	13
MIST-22®V SUPPRESSED BARREL INSTALLATION	14-15
MIST-22®V SUPPRESSED BARREL DISASSEMBLY	16-17
CLEANING THE MIST-22®V	18-19
NOTE REGARDING THE MIST-22®V FRONT SIGHT	19
KEEPING YOUR MIST-22®V BARREL RUNNING	20-22
MY SUPPRESSED BARREL MAINTENANCE LOG	23-24

YOUR SAFETY RESPONSIBILITIES

SAFETY IS YOUR NUMBER ONE RESPONSIBILITY!



WARNING: YOU MUST FOLLOW ALL OF THESE SAFETY RULES TO ENSURE THE SAFE USE OF YOUR FIREARM AND SUPPRESSOR. THE FAILURE TO FOLLOW THE INSTRUCTIONS AND WARNINGS IN THIS MANUAL COULD CAUSE SERIOUS PERSONAL INJURY OR DEATH TO YOU OR OTHERS AND DAMAGE TO PROPERTY.

• **FIREARMS ARE DANGEROUS AND CAN CAUSE SERIOUS INJURY OR DEATH IF THEY ARE MISUSED OR USED INAPPROPRIATELY.** Safety must be the prime consideration of anyone who owns or handles firearms. Accidents are the result of violating the rules of safe firearm handling. As a firearm owner, YOU accept a demanding, full-time responsibility. How seriously you take this responsibility can be the difference between life and death. There is no excuse for careless or abusive handling of your firearm. At all times, handle your firearm with intense respect for its power and potential danger.

YOUR SAFETY RESPONSIBILITIES CONTINUED

- **AT HOME, IN THE FIELD, AT THE RANGE, OR ANYWHERE, THE FIRST CONCERN OF EVERY FIREARM OWNER SHOULD BE SAFETY.** To avoid serious injury or death to you or others, apply the following safety rules in every situation, with any kind of firearm. If you feel uncertain about any aspect of your firearm or suppressor, please contact your firearm's manufacturer or GEMTECH before proceeding with its operation. If you are unfamiliar with firearms, you should seek formal training before using your firearm.
- **NEVER TIGHTEN OR ADJUST A SUPPRESSED BARREL OR ITS COMPONENTS WHILE IT IS MOUNTED ON A LOADED FIREARM.**
- **TREAT EVERY FIREARM AS IF IT IS LOADED AND WILL FIRE.** Never assume and do not take anyone's word that a firearm is unloaded - always look to verify that there is no cartridge in the chamber. A firearm is considered "unloaded" only when the action is open, the magazine is removed, and you have visually verified that there is no cartridge in the chamber. Make sure the firearm is unloaded before attempting to secure or adjust a suppressed barrel.
- **ALWAYS FOLLOW THE INSTRUCTIONS AND WARNINGS IN THIS MANUAL.** Use, installation, adjustment or removal of a suppressed barrel must be performed in accordance with the information contained in this manual.
- **FIREARMS WITH SUPPRESSED BARRELS ARE JUST AS DANGEROUS AS UNSUPPRESSED FIREARMS.** Because firearms with suppressors make less noise than firearms without suppressors, it is easy to forget that they are still firearms. Always remember that a suppressed firearm requires the same safe handling as an unsuppressed firearm. Since suppressors reduce the sound signature of firearms, the shooter must confirm that persons or animals do not accidentally cross the line of fire during use.
- **DO NOT USE A SUPPRESSOR FOR FULLY-AUTOMATIC FIRE UNLESS IT IS RATED FOR SUCH USE.** Gemtech suppressors list whether a given model of suppressor is rated for fully-automatic fire in the specifications table(s) within each Safety & Instruction manual.

YOUR SAFETY RESPONSIBILITIES CONTINUED

- **THE SUPPRESSOR AND/OR SUPPRESSED BARREL CAN BECOME EXTREMELY HOT DURING USE.** The suppressor absorbs a great deal of heat from burning propellant gases. After use, the suppressor can become very hot (greater than 900°F/482°C) depending on rate of fire. The suppressor can become hot enough to cause serious burns to skin and can also start a fire when contacting flammable materials or coming in proximity to flammable materials/vapors. Always allow the suppressor to cool before handling with bare hands or allowing it near potentially flammable materials or flammable materials/vapors. Suppressors become hot because they absorb energy from the muzzle blast on firing. A hot suppressor is not obvious but will cause severe burns on contact with skin and will cause property damage. Plan ahead and identify a safe place to rest your suppressed firearm after firing.
- **THE SUPPRESSED BARREL MUST BE INSTALLED PROPERLY BEFORE USE.** The suppressed barrel must be properly installed before using the firearm. Firing a suppressed barrel that is not properly installed could result in a baffle strike which may destroy the suppressor and possibly cause injury or death.
- **SEE THE AMMUNITION SECTION OF THIS MANUAL AND THE SPECIFIC SECTION FOR THE MODEL SUPPRESSOR THAT YOU ARE USING FOR INFORMATION ABOUT WHAT AMMUNITION SHOULD BE USED WITH YOUR GEMTECH SUPPRESSOR INSTALLED.**
- **THIS MANUAL SHOWS COMPATIBLE CALIBERS / CHAMBERINGS FOR THIS MODEL SUPPRESSED BARREL (SEE PAGE 13).** If a suppressed barrel is used on a firearm that does not meet the criteria spelled out for that particular model, it could result in damage to the firearm and/or suppressor and personal injury.

YOUR SAFETY RESPONSIBILITIES CONTINUED

- **KNOW, UNDERSTAND AND FOLLOW THE LAW.** Sound suppressors (sometimes referred to as silencers, cans, mufflers or moderators) are controlled under the National Firearms Act (NFA; 26 U.S.C. §5849 et seq.). Sound suppressors are NOT legal in every state. Storing an unlocked sound suppressor at home with a person who is not registered to possess the device may be construed as “constructive possession” by the BATFE (U.S. Bureau of Alcohol, Tobacco, Firearms and Explosives), which carries a hefty penalty by law – always keep your suppressor secured as you do with your firearms.

- **ALWAYS WEAR EYE AND HEARING PROTECTION THAT ARE SPECIFIED FOR USE WITH FIREARMS** every time you discharge your firearm. Make sure others in the vicinity of where you will be shooting do so as well. Suppressors reduce but do not eliminate the noise from a firearm discharge. When firing a suppressed firearm you and those nearby must use appropriate hearing protection.

- **BEWARE OF BARREL BORE OBSTRUCTIONS.** Be sure the gun’s bore and the integral suppressor are clear of obstructions before shooting. Mud, water, snow or other objects may inadvertently lodge in the bore or suppressor. An obstruction in the barrel bore or suppressor is a dangerous condition and may damage your firearm and cause injury to yourself and others.

- **NEVER DISASSEMBLE YOUR SUPPRESSED BARREL** beyond the procedure(s) detailed in this manual. Improper disassembly or reassembly of your suppressed barrel may be dangerous and can lead to serious injury or death.

- **NEVER ALLOW ANY ALTERATION OR REPLACEMENT OF PARTS IN YOUR GEMTECH SUPPRESSED BARREL UNLESS PERFORMED BY A FACTORY TECHNICIAN** using genuine GEMTECH parts. If you do otherwise, improper functioning of your firearm may occur and serious injury or death and damage to property may result.

YOUR SAFETY RESPONSIBILITIES CONTINUED



WARNING: SAFE USE OF A FIREARM WITH A SUPPRESSED BARREL IS YOUR PERSONAL RESPONSIBILITY AND THE FAILURE TO FOLLOW ALL OF THESE BASIC SAFETY RULES MAY RESULT IN SEVERE PERSONAL INJURY OR DEATH TO YOU OR OTHERS AND DAMAGE TO PROPERTY. YOU ARE THE MOST IMPORTANT SAFETY DEVICE WHEN IT COMES TO THE USE OF YOUR FIREARM AND SUPPRESSOR AND GEMTECH WILL NOT BE RESPONSIBLE FOR ANY PERSONAL INJURY, DEATH OR PROPERTY DAMAGE THAT RESULTS FROM: (1) THE CRIMINAL OR NEGLIGENT USE OF THIS SUPPRESSOR; (2) A DISREGARD OF THESE SAFETY INSTRUCTIONS AND WARNINGS; (3) IMPROPER OR CARELESS HANDLING OF THIS SUPPRESSOR; (4) THE USE OF NON-STANDARD, DEFECTIVE OR IMPROPER AMMUNITION, OR; (5) IMPROPER OR NEGLIGENT MODIFICATIONS OR REPAIRS TO THE SUPPRESSED BARREL.



WARNING: ALWAYS FOLLOW ALL OF THE WARNINGS AND INSTRUCTIONS IN THE OWNER'S MANUAL FOR YOUR SPECIFIC FIREARM.

- **SUPPRESSOR HUNTING NOTICE.** If hunting with a suppressor is desired, consult the applicable state department or agency responsible for enforcement of hunting laws and regulations for further information. Not all states allow hunting with a suppressor, and some states limit the types of game that can be hunted with suppressors.

AMMUNITION

- Use your MIST-22[®]V suppressed barrel only with the 22LR caliber ammunition as detailed in this manual.



WARNING: ONLY FACTORY NEW AMMUNITION IN GOOD CONDITION THAT OPERATES AT PRESSURES CONSISTENT WITH RECOGNIZED COMMERCIAL STANDARDS SHOULD BE USED WITH A GEMTECH SUPPRESSED BARREL INSTALLED.



WARNING: NEVER FIRE “TRACER” AMMUNITION THROUGH YOUR SUPPRESSED BARREL.



WARNING: NEVER FIRE FRANGIBLE OR PRE-FRAGMENTED AMMUNITION THROUGH ANY SUPPRESSOR. SOME FRANGIBLE JACKETED BULLETS HAVE A TENDENCY TO PRODUCE JACKET SEPARATION, WHICH MAY CAUSE THE BULLET OR BULLET FRAGMENTS TO TUMBLE WHILE IN THE SUPPRESSOR, WHICH CAN SERIOUSLY DAMAGE THE INTERNAL BAFFLES AND LEAD TO SUPPRESSOR FAILURE.



WARNING: DO NOT USE 45 GRAIN OR HEAVIER SUBSONIC 22LR AMMUNITION IN THE GEMTECH[®] MIST-22[®]V SUPPRESSED BARREL. GEMTECH HAS FOUND THAT SUCH AMMUNITION MAY FAIL TO STABILIZE IN THE SHORT 3” BARREL, AND AS A RESULT THE BULLET CAN YAW ON EXIT FROM THE RIFLING AND MAY DAMAGE THE INTERNAL COMPONENTS OF THE SUPPRESSOR, LEADING TO POSSIBLE INJURY TO THE SHOOTER OR BYSTANDERS. USE OF SUCH AMMUNITION WILL ALSO VOID THE PRODUCT WARRANTY.



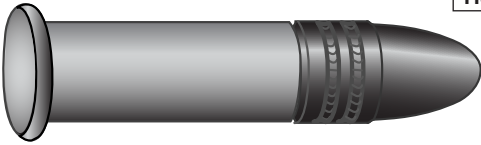
WARNING: NEVER USE 22 SHOTSHELL AMMUNITION IN THE MIST-22[®]V SUPPRESSED BARREL.



WARNING: DISCHARGING FIREARMS IN POORLY VENTILATED AREAS, CLEANING FIREARMS, OR HANDLING AMMUNITION MAY RESULT IN EXPOSURE TO LEAD AND OTHER SUBSTANCES KNOWN TO CAUSE BIRTH DEFECTS, REPRODUCTIVE HARM, AND OTHER SERIOUS PHYSICAL INJURY. HAVE ADEQUATE VENTILATION AT ALL TIMES. WASH HANDS THOROUGHLY AFTER EXPOSURE.

AMMUNITION CONTINUED

FIGURE 1



NOTE: Heavy-for-caliber 22LR ammunition is not needed or recommended to achieve impressive sound reduction performance from the MIST-22[®]V suppressed barrel.

Due to the relatively short length of the actual barrel in the MIST-22[®]V (3 inches), all 22LR ammunition with a factory listed velocity of 1,600 feet per second or less will deliver subsonic performance.

GEMTECH® WARRANTY STATEMENT

- Please visit gemtech.com/warrantystatement for warranty statement details.

GEMTECH® PATENT INFORMATION

- This product may be covered by one or more patents. Visit www.gemtech.com/patents for virtual patent information.

GEMTECH® RETURNS FOR REPAIR

- Suppressed barrels may be returned to Gemtech for inspection and/or repair service as necessary. Contact the Gemtech customer service department to obtain a Return Merchandise Authorization (RMA) in order to return your suppressor. See the Contact and Shipping section of this manual for details. Returned suppressors will be evaluated upon receipt to determine whether no-charge or fee service is appropriate. Gemtech is not responsible or liable for any damage that results from the failure to observe all applicable product warnings and instructions.
- For fee service(s), a quote will be provided to you, and services will commence upon receipt of payment. It is the responsibility of the customer to cover shipping costs and insurance to return the suppressor to Gemtech for inspection or repair. Gemtech will pay any reasonable shipping and insurance costs to return the unit to you.
- For any repair returns, to ensure proper legal procedures are completed, please download, fill out, and provide a copy of this document (**General Service Form**) with any packages sent to us - available at this web address:
https://gemtech.com/pub/media/wysiwyg/cms/downloads/General_Service_Form.pdf

GEMTECH® REPAIR POLICY

- GEMTECH maintains complete repair facilities for all the suppressors and suppressed barrels that it sells.

Return authorization and shipping instructions must be obtained prior to return. Contact GEMTECH for this information. BATFE no longer requires transfer on a Form 5 to the manufacturer for repair. However, they do require a letter accompanying the suppressor detailing the repairs required. The General Service Form will fulfill the letter requirement.

https://gemtech.com/pub/media/wysiwyg/cms/downloads/General_Service_Form.pdf

We will also require a photocopy of the front of the Owner's Form 3, 4, or 5.

NOTE: BATFE prohibits transferring the serial number to a new outer tube in the case of damage to the tube. Tube damage will require a new suppressor.

CONTACT & SHIPPING INFORMATION

For Owners Within The United States

NOTE: A Return Merchandise Authorization (RMA) is the first step in the process of returning a product in order to receive repair service. Please contact GEMTECH'S Customer Service Dept. via e-mail: techstaff@gemtech.com or by phone at 1.833.350.9517 to obtain authorization to return your suppressor so we can process it quickly and efficiently. The RMA number that is supplied by GEMTECH must be displayed on the outside of the returned product's packaging.

The Return Merchandise Authorization (RMA) process allows GEMTECH an opportunity to try to diagnose and correct a customer's concerns with the product (such as ammunition problems) before it is returned. Accordingly, please contact us before returning your GEMTECH suppressor.

CONTACT CUSTOMER SERVICE

Phone: 1.833.350.9517

E-mail: techstaff@gemtech.com

CONTACT AND SHIPPING CONTINUED

RETURNS - FOR SERVICE - ALL GEMTECH SUPPRESSORS

GEMTECH
2100 Roosevelt Ave
Springfield, MA 01104

- Call or e-mail the Customer Service Dept. for authorization and shipping instructions.

- Enclose a completed General Service Form:

https://gemtech.com/pub/media/wysiwyg/cms/downloads/General_Service_Form.pdf

- Include your full name and address (no P.O. Boxes, please), daytime telephone number, e-mail address, the serial number of the suppressor, and details of the problem experienced (stating the brand and type of ammunition used when the problem occurred) or work desired.

- Enclose a copy of the first page of the approved BATFE Form 3, 4, or 5 (as applicable) that evidences registration of the suppressor in your name. This form can be found at:

<https://www.atf.gov/firearms/firearms-forms>

- Record the serial number before shipping, in case you wish to check on the repair status of your suppressor.

- Place the suppressor in its original case or in a similarly secure container and pack it securely.

- The package must NOT bear any markings which indicate the identity of the contents.

- It is most important that you comply with federal, state, and local laws and regulations. The following guidelines are meant to help, but you must seek assistance from the appropriate authorities if necessary.

- Repair work will begin upon receipt and examination of the suppressor. In the case of repairs, a quotation covering the cost of the work plus round trip shipping charges will be sent to you. Repairs will be scheduled upon receipt of payment.

GEMTECH® MIST-22®V SUPPRESSED BARREL:

FIGURE 2



GEMTECH® MIST-22®V SUPPRESSED BARREL SPECIFICATIONS:

SKU Number	12602
UPC Number	609224346651
Chambering	22LR
Full Auto Rated?	No
Use wet or dry?	DRY ONLY
Barrel Length	3" – Barrel 8.95" Overall Length
Tube Diameter	.950" - 1.120"
Weight	10.9 oz
Tube Material	7075-T6 Aluminum
Tube Finish	Matte Black Cerakote
Core Material	17-4 Stainless Steel
Core Finish	Black Oxide
Barrel Material	410 Stainless Steel
Barrel Finish	Matte Black Cerakote
Mount Type	Fits onto the Smith & Wesson® SW22 Victory® Pistol only
Ammunition	See pages 8 and 9 for details
Disassembly for Cleaning?	Yes

GEMTECH® MIST-22®V SUPPRESSED BARREL INSTALLATION



WARNING: ALWAYS KEEP THE MUZZLE POINTED IN A SAFE DIRECTION.



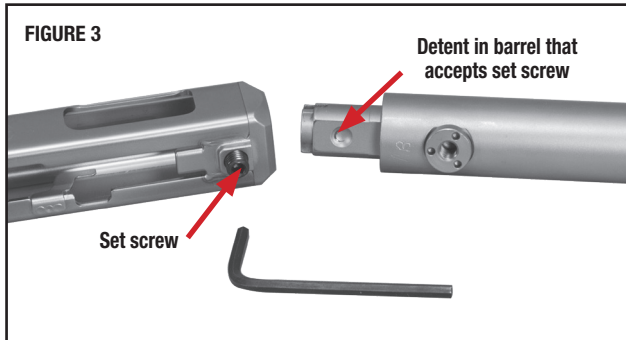
WARNING: ALWAYS ENSURE THAT THE FIREARM IS UNLOADED BEFORE INSPECTING, DISASSEMBLING OR ASSEMBLING.



WARNING: WEAR SAFETY GLASSES EVERY TIME YOU DISASSEMBLE OR ASSEMBLE YOUR FIREARM AND ATTEMPT CLEANING OR MAINTENANCE.

1. Field strip your SW22 Victory® Pistol as instructed in the Safety & Instruction Manual that came with the pistol from the factory. If you don't have a manual, one can be downloaded free of charge from www.smith-wesson.com

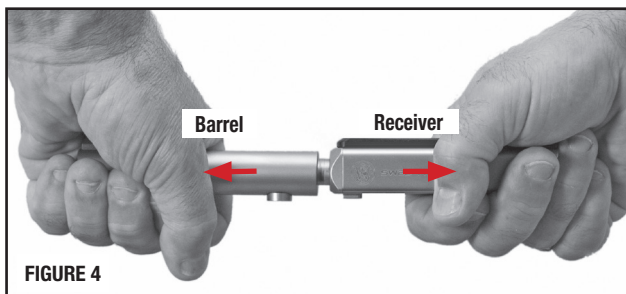
2. Remove the barrel takedown screw located on the underside of the trigger guard with a 1/8" hex wrench. Remove the SW22 Victory® upper receiver from the lower receiver.



3. Loosen the barrel set screw at the bottom front of the receiver with a 1/8" hex wrench (FIGURE 2). Several turns counterclockwise should suffice. You do not need to completely remove the screw.

GEMTECH® MIST-22®V SUPPRESSED BARREL INSTALLATION CONTINUED

4. Grasp the barrel in one hand and the receiver in the other and pull them apart (FIGURE 4). Some effort may be required if the parts are dirty. The parts are a slip fit - no turning is required or possible



5. Take the fully assembled MIST-22®V suppressed barrel and look through the chamber end of the barrel down the bore of the suppressor. Ensure there is nothing blocking the bullet flight path, and the bore is clear of any obstructions.

6. Insert the fully assembled MIST-22®V suppressed barrel into the receiver. The barrel is shaped in such a way that it will only enter the receiver in the correct orientation.

7. Tighten the barrel set screw until it is snug.

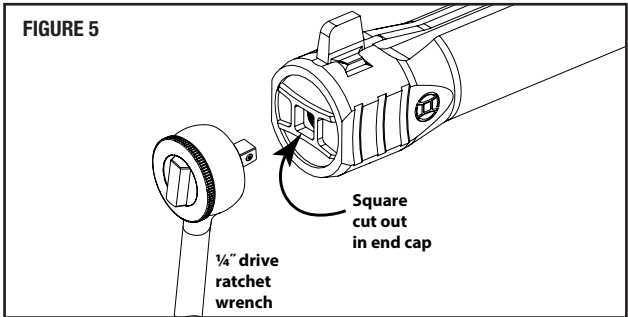
8. Reassemble the pistol as instructed in the Field Stripping/ Assembly section of the SW22 Victory® Owner's Manual.

9. Check for proper function of the bolt within the receiver and the pistol's controls. You have completed installation of the MIST-22®V suppressed barrel.

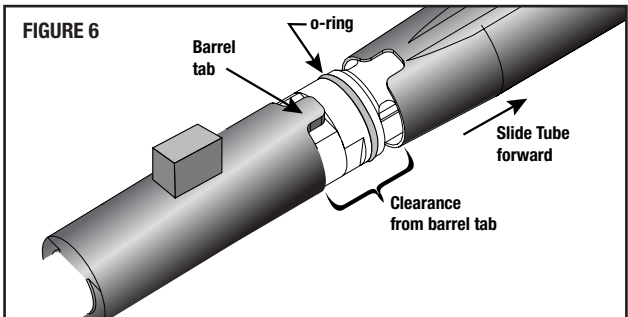
GEMTECH® MIST-22®V SUPPRESSED BARREL DISASSEMBLY

WARNING: WEAR ABRASION RESISTANT GLOVES WHILE CLEANING YOUR SUPPRESSED BARREL TO AVOID CUTTING YOURSELF ON THE MONOCORE BAFFLE.

1. Use a ¼" ratchet drive wrench to loosen the end cap. Insert the wrench into the cut out in the suppressor end cap (FIGURE 5) and turn counter-clockwise to remove the end cap.

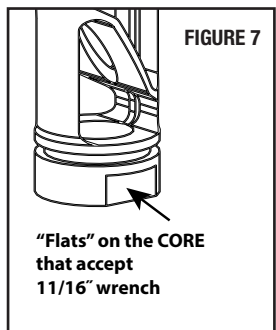


2. Remove the suppressor tube by sliding it off the barrel and core. **DO NOT** attempt to rotate the tube until it is past the o-ring on the rear of the G-CORE® monocore (FIGURE 6). This avoids damaging the tab cutout on the suppressor tube.



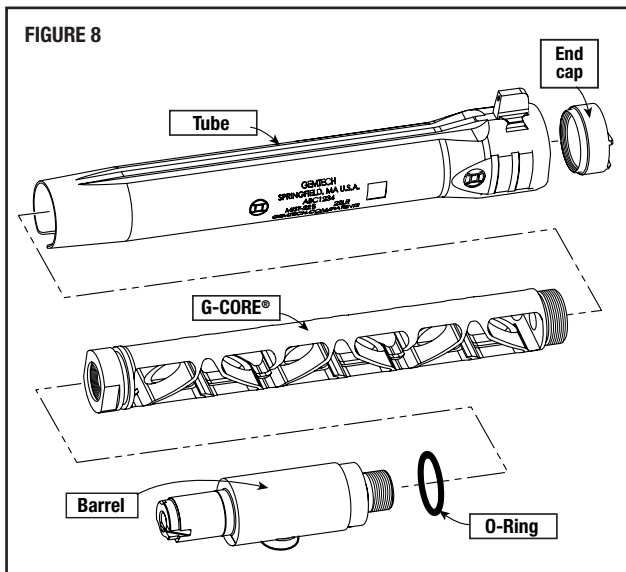
3. Remove the G-CORE® monocore from the barrel using an 11/16" open-end or adjustable wrench to engage the flats on the base of the core (FIGURE 7).

4. Rotate counter-clockwise to remove the G-CORE® from the barrel.



GEMTECH® MIST-22®V SUPPRESSED BARREL DISASSEMBLY CONTINUED

5. The MIST-22®V is now disassembled (FIGURE 8) and ready for routine cleaning and inspection.



CLEANING THE GEMTECH® MIST-22®V SUPPRESSED BARREL

For optimal performance and ease of disassembly, perform the maintenance process listed below every 250 rounds.

Gemtech® recommends using a CLP (Cleaner, Lubricant, Preservative) to clean the suppressor components.



WARNING: ALWAYS HAVE ADEQUATE VENTILATION. CLEANING FIREARMS IN POORLY VENTILATED AREAS, DISCHARGING FIREARMS, OR HANDLING AMMUNITION MAY RESULT IN EXPOSURE TO LEAD AND OTHER SUBSTANCES KNOWN TO CAUSE BIRTH DEFECTS, REPRODUCTIVE HARM AND OTHER SERIOUS PHYSICAL INJURY. WASH HANDS THOROUGHLY AFTER EXPOSURE.

1. Disassemble the MIST-22®V following the instructions shown previously in this manual.
2. To clean the G-CORE® use a brush to scrub the entire outside surface. This is the most important part to clean since this is where buildup occurs that may cause the G-CORE® and tube to be stuck together.
3. In the cavities and recesses, use cleaning picks to remove large deposits. Run a bore brush or bore snake through the bore of the G-CORE® a few times to ensure anything encroaching on this space is removed.
4. To clean the inside of the suppressor tube soak a 12 gauge nylon shotgun bore brush or mop in CLP and run it through the tube to remove debris. The use of a 12 gauge shotgun bore brush, or mop and a power drill is extremely effective for cleaning the inside of the tube. If lead/carbon buildup persists, the G-CORE® itself can be used to break off the buildup. See the “Possible Issues” section of this manual on (pages 20-22) for detailed instructions.
5. To clean the barrel and chamber use a properly fitted bore brush dipped in gun cleaning solvent to break up fouling. Finish the barrel cleaning process by running dry cotton cloth patches through the barrel from the chamber to muzzle and remove residue and solvent.

CLEANING THE GEMTECH® MIST-22®V SUPPRESSED BARREL CONTINUED

6. Clean and remove debris from all threaded surfaces with a nylon or brass brush. Wipe remaining cleaner off all internal surfaces of the: G-CORE®, tube, end cap, and barrel. Allow components to dry before reassembling and using the suppressor.
7. Reassembly of the suppressor is the reverse of the disassembly process.
8. Lastly, ensure that the end cap is tight, and torqued to 18 in/lbs. Look through the fully assembled MIST-22®V from the barrel chamber toward the muzzle. Make certain that nothing is blocking the bullet's path and the bore aperture is perfectly circular.
9. The MIST-22®V is now fully cleaned, assembled, and ready for use.



WARNING: THE SUPPRESSED BARREL MUST BE ASSEMBLED AND INSTALLED PROPERLY BEFORE USE. FIRING A SUPPRESSED BARREL WITH A BORE OBSTRUCTION OR ONE THAT IS NOT PROPERLY ASSEMBLED AND INSTALLED COULD RESULT IN A BAFFLE STRIKE WHICH MAY CAUSE INJURY AND/OR DEATH TO THE SHOOTER OR BYSTANDERS AND DAMAGE TO PROPERTY.

NOTE REGARDING THE FRONT SIGHT: We highly recommend that a qualified gunsmith perform removal or installation of the front sight on the MIST-22®V suppressed barrel. If excessive force is used while removing or installing a front sight the aluminum tube can be marred or damaged.

KEEPING YOUR MIST-22®V SUPPRESSED BARREL RUNNING

This section contains information for identifying and resolving some of the more common issues which may develop with the MIST-22®V suppressed barrel after extensive firing.

If you encounter an issue not listed here (except when the malfunction and cause are obvious), or is not resolved by the corrective actions shown here, please contact the Gemtech® Customer Service Dept.

NOTE: The majority of possible issues can be avoided by adhering to the cleaning interval and methods listed in this manual.

ISSUE #1 - The end cap is stuck and cannot be removed from the suppressor tube to disassemble the MIST-22®V.

RESOLUTION #1 - If the suppressor end cap or tube is seized and cannot be removed without excessive force, use a PTFE spray lubricant like CRC® Dry PTFE Lube and apply liberally. Spray into the front-end cap and from the barrel chamber into the suppressor. Shake the suppressor so the lubricant can coat all internal surfaces. Let the MIST-22®V sit for 30 minutes before attempting to disassemble it.

ISSUE #2 - The end cap has been removed, but the suppressor tube is seized to the core and barrel, and cannot be removed.

RESOLUTION #2 - Remove the MIST-22®V from the firearm by unscrewing the barrel set screw. With the MIST-22®V removed from the pistol, spray PTFE lubricant into the suppressor from both the muzzle end and the barrel chamber. Allow the MIST-22®V to sit for 30 minutes.

With the end cap removed, put the tube flats in a vise using soft jaws to protect the finish. Use a wooden dowel and mallet to tap the core and barrel free from the tube.

ISSUE #3 - The end cap and suppressor tube have been removed, but the core is seized to the barrel threads.

RESOLUTION #3 - Soak the barrel and G-CORE® in CLP for 30 minutes to 1 hour. The fouling and carbon should soften up enough so the core can be removed from the barrel. Use a wrench to engage the wrench flats at the base of the G-CORE®, or an abrasion resistant glove to twist the G-CORE® free.

KEEPING YOUR MIST-22®V SUPPRESSED BARREL RUNNING CONTINUED

ISSUE #4 - The black oxide finish on G-CORE® appears to be wearing off.

RESOLUTION #4 - Finish wear on internal surfaces is expected and should not be a cause of concern. Finish wear will not affect the MIST-22®V's performance or ease of cleaning.

ISSUE #5 - Can the MIST-22®V be cleaned with an ultrasonic cleaner?

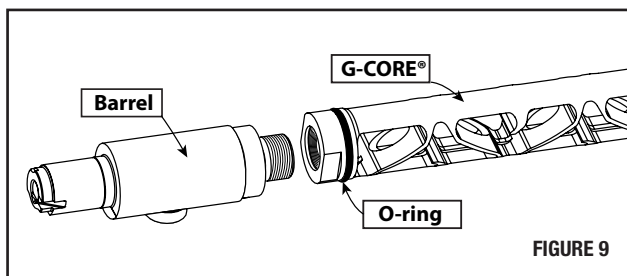
RESOLUTION #5 - The G-CORE® can be cleaned using an ultrasonic cleaner. An ultrasonic cleaner will deteriorate the black finish on the G-Core, but this will not effect performance or service life.

NOTE: The suppressor tube is aluminum and not compatible with ultrasonic cleaning.

The barrel should be cleaned using traditional gun barrel cleaning methods.

ISSUE #6 - The o-ring on the G-CORE® has deteriorated or become damaged.

RESOLUTION #6 - The o-ring should be replaced with a Viton® o-ring size: ID-5/8 OD-3/4 W-1/16.



Viton® is a Registered Tardemark of
THE CHEMOURS COMPANY FC, LLC

KEEPING YOUR MIST-22®V SUPPRESSED BARREL RUNNING CONTINUED

ISSUE #7 - Using the G-CORE® to remove carbon buildup from inside the MIST-22®V suppressor tube.

RESOLUTION #7 - Start this process with the MIST-22®V disassembled and cleaned using the instructions in the manual.

Remove the o-ring on the base of the already cleaned G-CORE® and liberally spray the core with CLP.

Using a bench vise equipped with soft jaws, engage the suppressor tube's integrated flats located on the muzzle end (FIGURE 10). Spray the inside of the tube with CLP. **DO NOT OVER-TIGHTEN THE VISE AS DAMAGE TO THE TUBE MAY RESULT.**

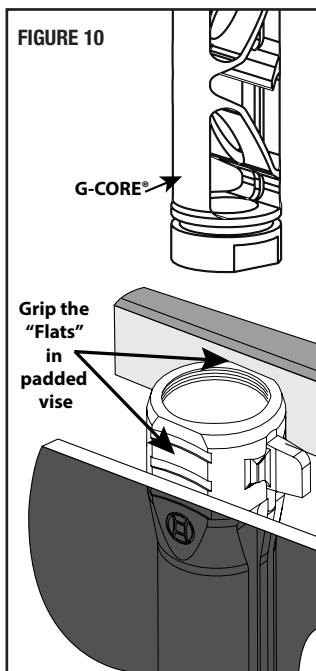
Place the base of the G-CORE® into the muzzle end of the suppressor tube. Using a non-marring hammer or mallet, tap the G-CORE® through the suppressor tube. This will scrape all buildup off the tube's internal surfaces.

Wipe remaining cleaner off all internal surfaces and use a brush to remove debris from all threaded surfaces.

Reinstall the o-ring onto the base of the core.

Allow components to dry before reassembling and using the suppressor.

The MIST-22®V is now ready for reassembly and installation. Once assembled, confirm that the bore channel is not obstructed before firing.



MY GEMTECH® SUPPRESSED BARREL MAINTENANCE LOG

MY SERIAL NUMBER: _____

PURCHASE DATE: _____

MM/DD/YY	/	ROUND COUNT
_____	/	_____
_____	/	_____
_____	/	_____
_____	/	_____
_____	/	_____
_____	/	_____
_____	/	_____
_____	/	_____
_____	/	_____



301411220329

Gemtech
2100 Roosevelt Ave
Springfield, MA 01104